

# Omron Sentech Industrial CMOS GigE Vision Camera

## GigE Vision Line Scan Camera

PoE Power Supply Corresponded



### Summary

- Single and dual line scan camera line up
- Compact and easy to attach design
- 2K/4K/8K line up
- Lens mount: F / M42 / C

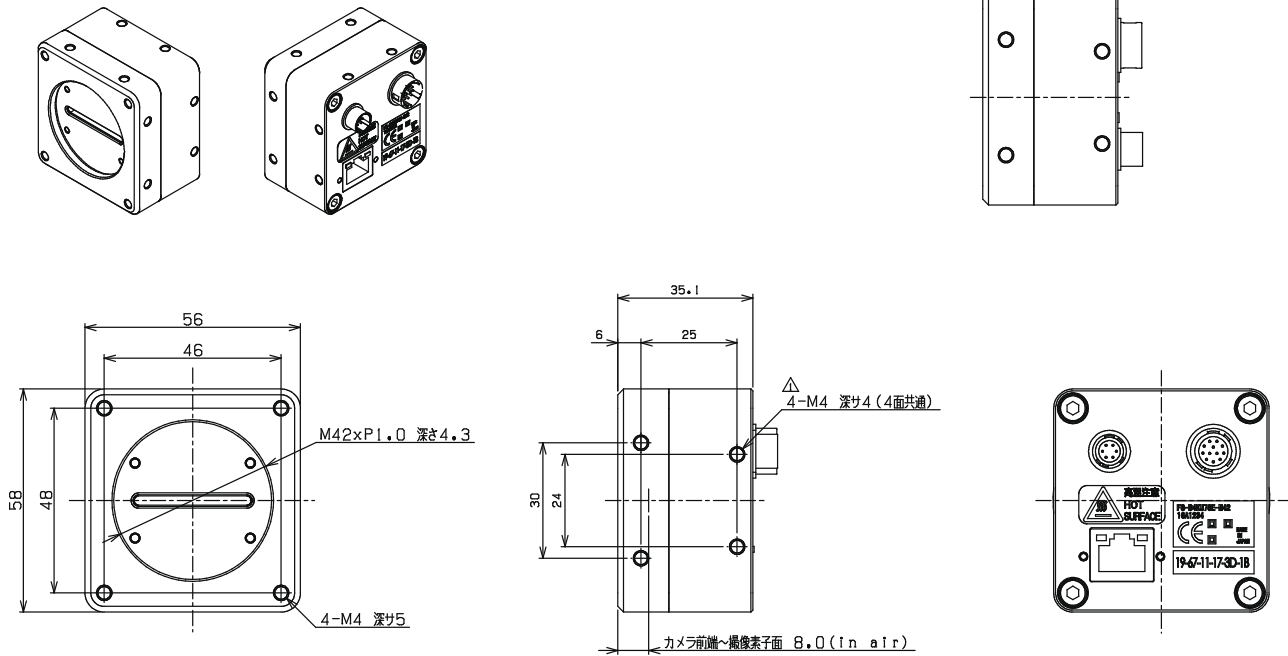


### Product Line-Up

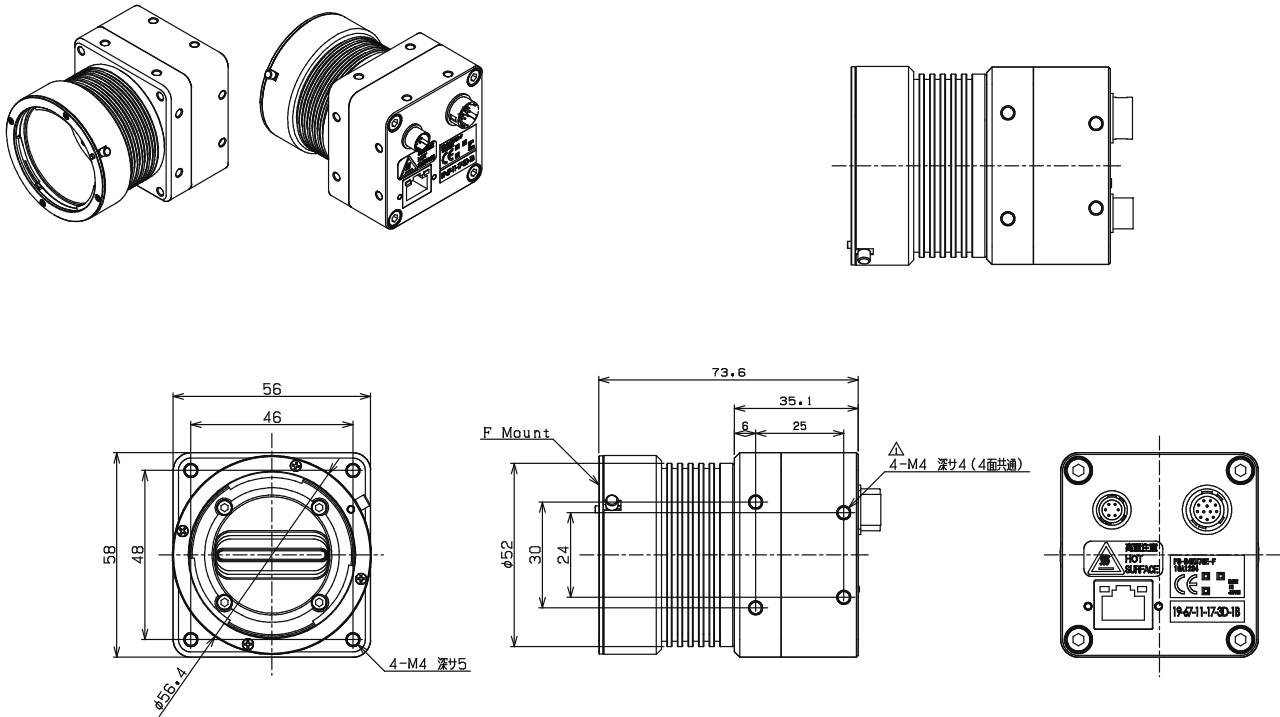
Model	Color/Mono	Effective Pixels (H x V, pixels)	Scan Rate	Cell Size (μm)	Sensor	Single/Dual	Lens Mount
FS-B2KU7GES-C	Mono	2048x1	51kHz	7μm	DR-2K-7	Single	C
FS-B2KU7GES-F							F
FS-B2KU7GES-M42							M42
FS-B4KU7GES-F	Mono	4096x1	26kHz	7μm	DR-4K-7	Single	F
FS-B4KU7GES-M42							M42
FS-B4KU35GES-C	Mono	4096x1	26kHz	3.5μm	DR-4K-3.5	Single	C
FS-B4KU35GES-F							F
FS-B4KU35GES-M42							M42
FS-B8KU35GES-F	Mono	8192x1	13kHz	3.5μm	DR-8K-3.5	Single	F
FS-B8KU35GES-M42							M42
FS-B2KU7DGES-C	Mono	2048x1	26kHz	7μm	DR-2X2K-7-inver	Dual	C
FS-B2KU7DGES-F							F
FS-B2KU7DGES-M42							M42
FS-B4KU7DGES-F	Mono	4096x2	13kHz	7μm	DR-2X4K-7-inver	Dual	F
FS-B4KU7DGES-M42							M42
FS-C2KU7DGES-C	Color	2048x1	26kHz	7μm	DR-2X2K-7-inver-RGB	Dual	C
FS-C2KU7DGES-F							F
FS-C2KU7DGES-M42							M42
FS-C4KU7DGES-F	Color	4096x2	13kHz	7μm	DR-2X4K-7-inver-RGB	Dual	F
FS-C4KU7DGES-M42							M42

## Dimensions

### M42 Mount Model



### F Mount Model



## Accessories

### Screw-fastened GigE Cables

Model No.	General Specifications
C5E(S-HFR)(K)-HSL-3	3m, robot cable, RJ45, with camera-side fastening screws
C5E(S-HFR)(K)-HSL-5	5m, robot cable, RJ45, with camera-side fastening screws
C5E(S-HFR)(K)-HSL-10	10m, robot cable, RJ45, with camera-side fastening screws
C5E(S-HFR)(K)-HSL-15	15m, robot cable, RJ45, with camera-side fastening screws

- \* GigE Vision is a trademark of AIA (Automated Imaging Association)
- \* Accessories are not included in the camera.
- \* Other company names and product names in this website are either registered trademarks or trademarks of their respective owners.