

# HS-1



## Handheld Linear CCD Reader

The HS-1 is a value level handheld barcode reader for reliable decode of linear barcodes in common applications such as printed black and white labels. Providing fast and accurate performance with minimal budget impact, the HS-1 is ergonomically designed for comfort and built to withstand multiple drops in harsh industrial environments.

The HS-1 is the ideal value level barcode reader for common barcode applications.

### HS-1: At a Glance

- Decodes/second: up to 230
- Read Range: 1.0 to 14.0" (25 to 356 mm)
- USB, RS-232 Interface Options



ESP® Easy Setup Program: Single-point software provides quick and easy setup and configuration of all Microscan readers.

For more information on this product, visit [www.microscan.com](http://www.microscan.com).

#### Reading Capabilities

The HS-1 reader can easily read any 1D barcode and many stacked symbologies, and excels at reading high contract labels.

#### Easy Setup

ESP software provides easy configuration of the HS-1, including read cycle and symbology setting.

#### Lightweight & Durable

The lightweight and durable reader housing and cable feature a 6 foot (1.8 meter) shock approval rating to withstand multiple drops in high-use industrial applications.

#### Flexible Communication

HS-1 readers are available in 2 interface options: USB or RS-232.

#### Application Examples

- Inventory
- Electronics
- Life Sciences

### HS-1: Available Codes

Linear

All Standard



Stacked

PDF417

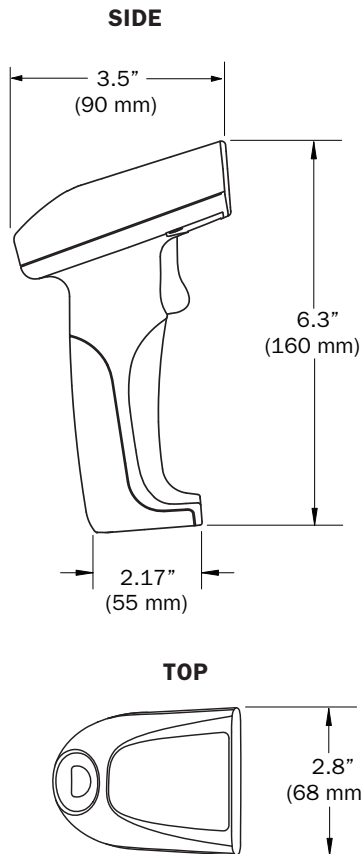


GS1 Databar



**MICROSCAN®**

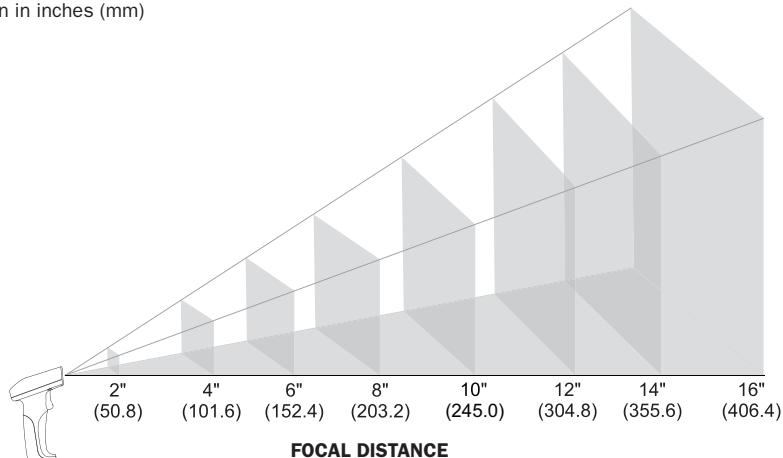
# HS-1 LINEAR CCD READER SPECIFICATIONS AND OPTIONS



## READ RANGE GRAPH

### MEASUREMENT

Shown in inches (mm)



Narrow-bar-width	Read Range Distance
.0040" (0.102 mm)	2.9 to 3.3" (75 mm to 85 mm)
.0050" (0.127 mm)	2.5 to 4.5" (65 mm to 115 mm)
.0104" (0.264 mm)	1.1 to 8.6" (30 mm to 220 mm)
.0156" (0.370 mm)	1.1 to 14.1" (30 mm to 360 mm)

Ranges based on Grade A symbols. Data subject to change.

## MECHANICAL

**Height:** 6.3" (160 mm)  
**Width:** 2.8" (68 mm)  
**Depth:** 3.5" (88 mm)  
**Weight:** 7.8 oz. (220 g), including cable

## ENVIRONMENTAL

**Operating Temperature:** 0° to 50° C (32° to 122° F)  
**Storage Temperature:** -20° to 60° C (-4° to 140° F)  
**Humidity:** 20% to 85% (non-condensing)  
**Shock:** Withstands drops of 6' (1.8 meters) to concrete

## SYMBOLOGIES

**Stacked Symbolies:** GS1 Databar, PDF417  
**Linear Barcodes:** Code 39, Code 128, Code 11, Code 32, I2 of 5, UPC/EAN, Codabar, Code 93, China Postal Code

## LIGHT COLLECTION OPTIONS

**Sensor:** 2048 pixel CCD image sensor  
**Optics:** 660 nm visible LED

## COMMUNICATION PROTOCOLS

**Standard Interface:** USB, RS-232

## READ PARAMETERS

**Decode Rate:** 230 decodes/second  
**Depth of Field:** 2.8" to 3.5" (70 to 90 mm)  
**Ambient Light Immunity:** Sunlight: Up to 278.7 ft-candles/3,000 lux

## INDICATORS

**Status Indicators:** Audible tones, visual feedback with multi-color LED

## ELECTRICAL

**Power Requirements:** 5 VDC (mA)  
**Typical:** 240mA **Peak:** 750mA **Idle:** 95mA

## SAFETY CERTIFICATIONS DESIGNED FOR

FCC, CE

## ROHS/WEEE COMPLIANT

## ISO CERTIFICATION

Issued by TÜV USA Inc, Member of TÜV NORD Group, Cert No. 06-1080

©2009 Microscan Systems, Inc. SP060A 05/09

Read Range and other performance data is determined using high quality Grade A symbols per ISO/IEC 15415 and ISO/IEC 15416 in a 25° C environment. For application-specific Read Range results, testing should be performed with symbols used in the actual application. Microscan Applications Engineering is available to assist with evaluations. Results may vary depending on symbol quality. **Warranty**—Three year limited warranty on parts and labor. Extended warranty available.

# MICROSCAN®

**Microscan Systems Inc.**  
 Tel 425 226 5700 / 800 251 7711  
 Fax 425 226 8250

**Microscan Europe**  
 Tel 31 172 423360 / Fax 31 172 423366

**Microscan Asia Pacific**  
 Tel 65 6846 1214 / Fax 65 6846 4641

## www.microscan.com

Product Information: info@microscan.com  
 Auto ID Support: helpdesk@microscan.com  
 Vision Support: visionsupport@microscan.com  
 NERLITE Support: nerlitesupport@microscan.com