



**product introduction**



The DM300-ADP-KIT Camera Mount allows simple mounting of multiple Smart Vision Lights LED products to the Cognex DataMan300. Four camera mount to camera screws are included.

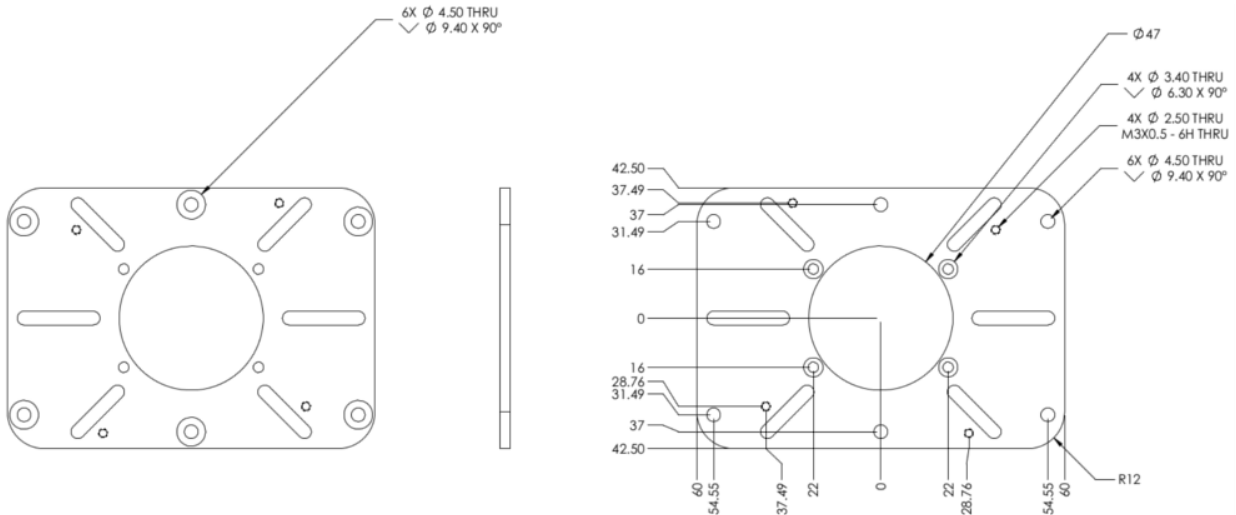


**product mounting**

The DM300-ADP-KIT Camera Mount includes mounting screws for bracket to the camera.



**CAD dimensional**



**product identification**

## DM300 – ADP-KIT —» Part Number Key

**Mounting Camera:**  
DataMan300 Series

**Identification:**  
Camera Adapter

\* Mount comes with all needed mounting hardware.